



NGATI TUWHARETOA GEOTHERMAL ASSETS LTD

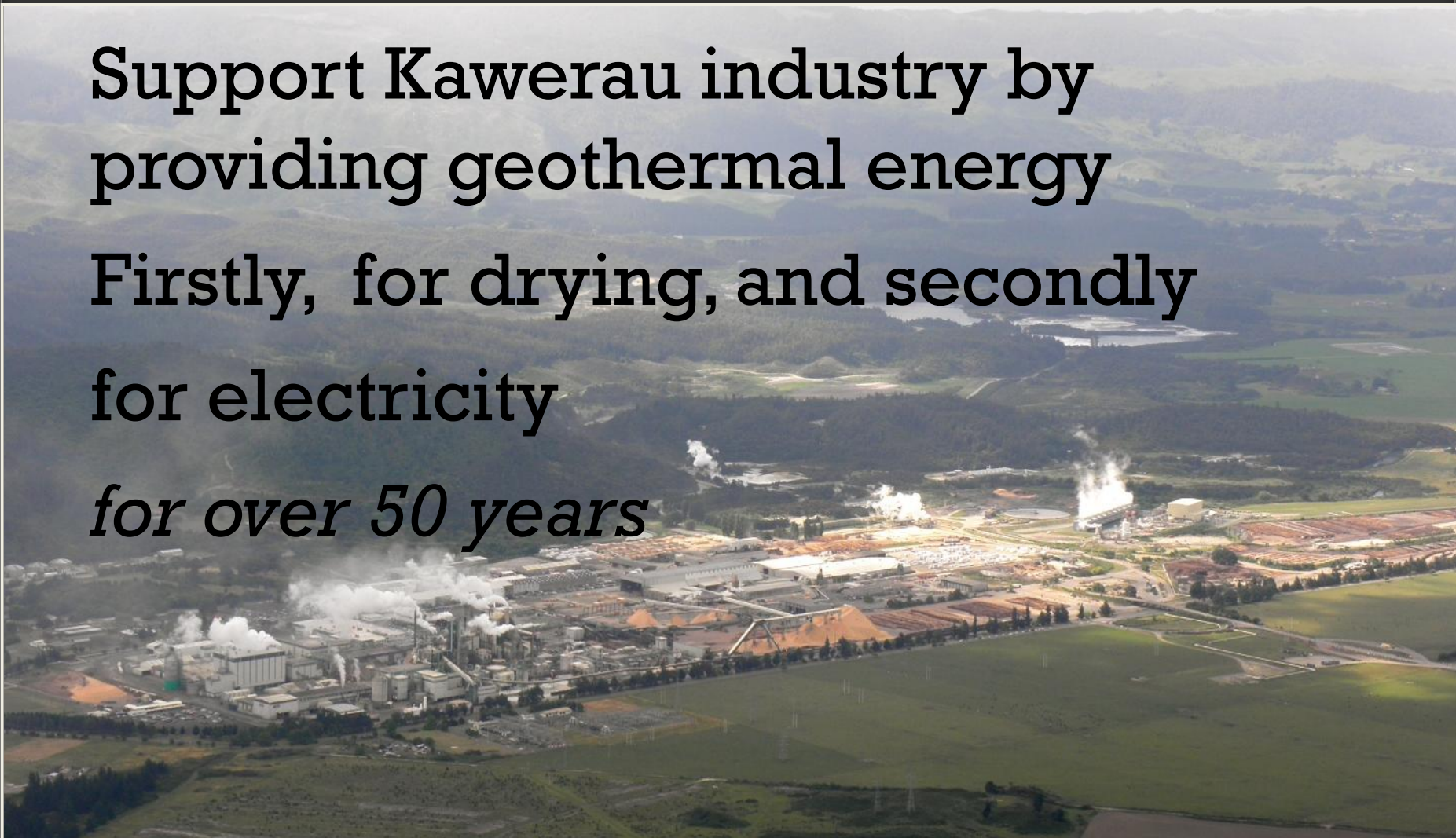


2011 Update

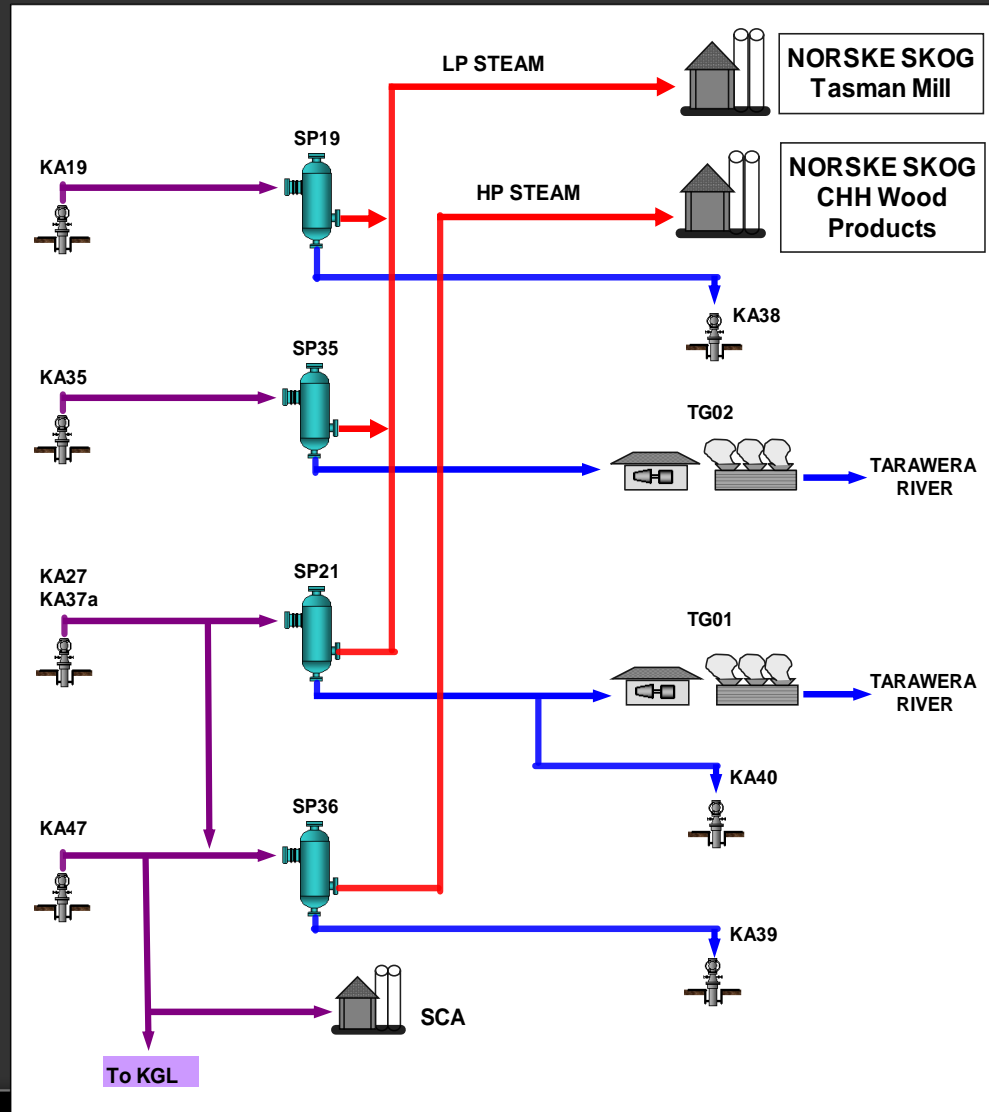


What we do

Support Kawerau industry by
providing geothermal energy
Firstly, for drying, and secondly
for electricity
for over 50 years

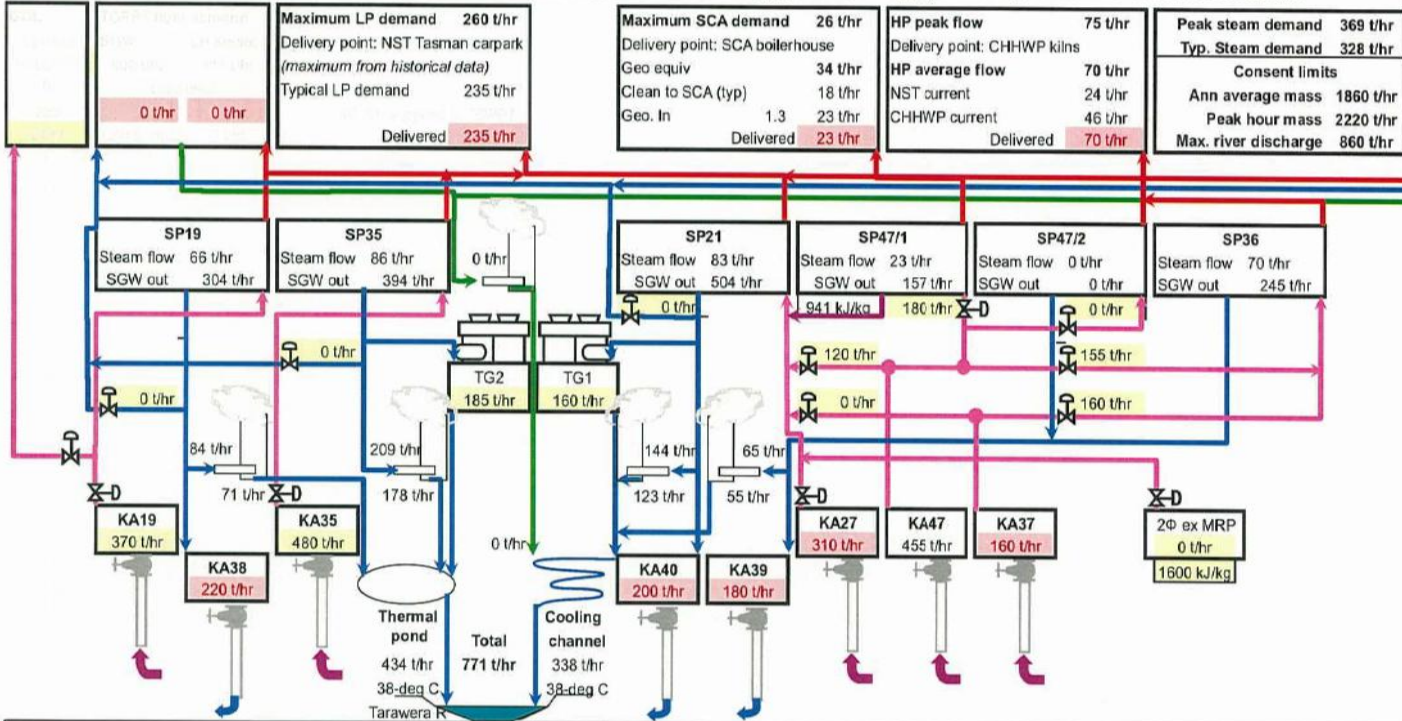


System – Multiple Users

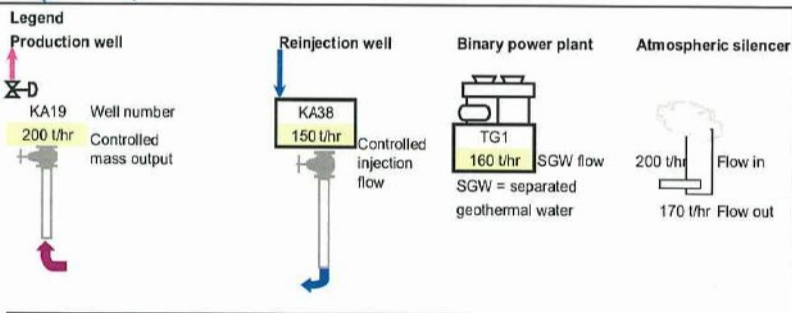


NTGAL Kawerau Steamfield

LP supply to NST typical, HP to CHHWP + NST typical, SCA typical, no supply to TOPP1, no supply to GDL, no supply from MRP, KA30 and SP South not connected



Notes		
NST Contract	2.5 MU/y equiv:	285 t/h average
Includes onsold to CHHWP		26 t/h average
Net NST supply		259 t/h average
Made up of:	Total LP steam	235 t/h average
	HP steam	24 t/h average
CHHWP contract	0.406 MU/y equiv:	46 t/h average
Made up of purchased from NST		26 t/h average
Plus new steam		20 t/h average
NST TOPP1 additional supply:	steam	74 t/h
	water	600 t/h
GDL two-phase flow (ex KA19)		70 t/h
GDL two-phase flow: future		285 t/h average



Explanation	
LP supply to NST typical,	
HP to CHHWP + NST typical,	
SCA typical,	
no supply to TOPP1,	
no supply to GDL,	
no supply from MRP,	
KA30 and SP South not connected	
Existing production wells KA27 and KA37 at maximum flow	
All existing reinjection wells at max.	
River discharge OK	
New reinjection capacity needed:	0 t/hr



Resource Consent Application

- ◉ Current consent 44,400 tpd
- ◉ New application 45,000 tpd
- ◉ **Why: Customers want more geothermal**
 - clean renewable energy
 - process the logs in NZ



Clean Steam Plant

